



# Chevrolet® Connection Center

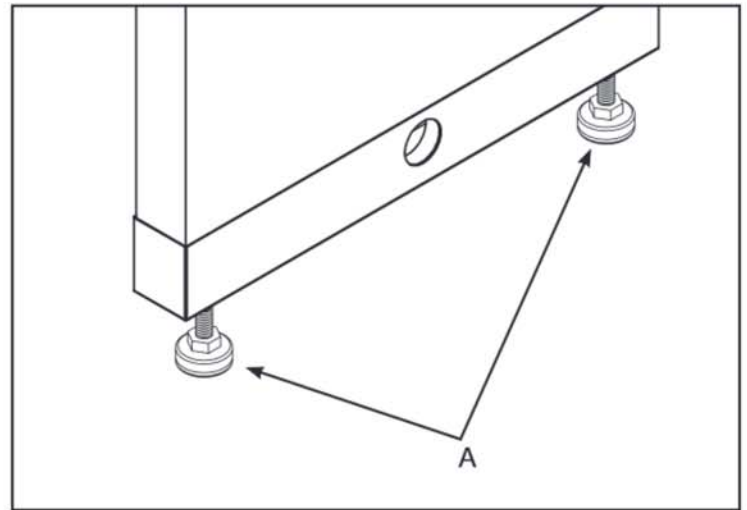
## Assembly Instructions

### Contents:

- (1) Connection center
- (1) Outlet power strip

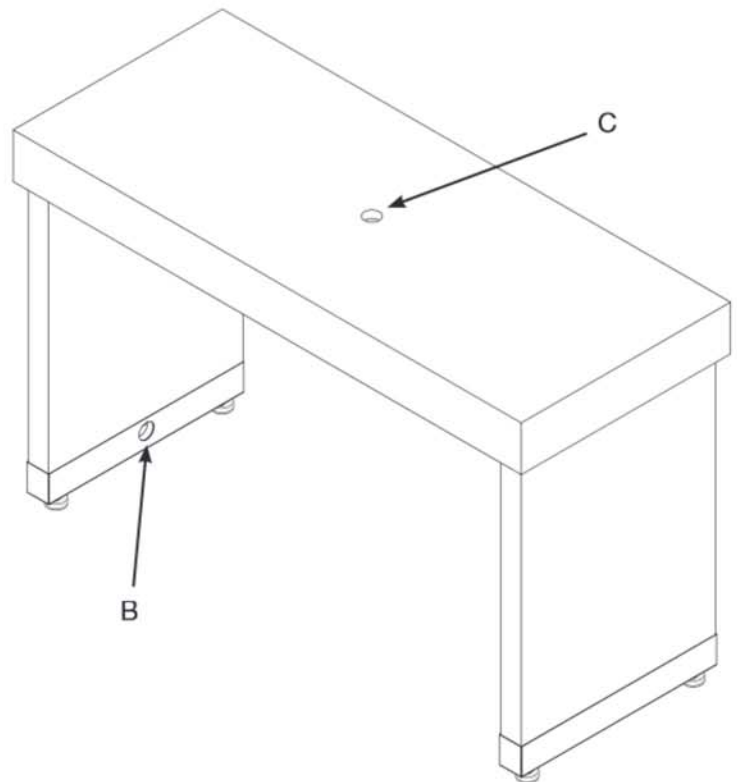
### Tool Required:

- (1) Open end wrench (not included)



### Installation:

- A. Adjust the leg levelers with open end wrench to ensure the table is level.
- B. Power cord can be run through inside or outside porthole of panel leg.
- C. Top porthole allows power cords to run through tabletop to power cord strip underneath table.



Call DCI-Artform at 800-766-5660 with any questions.

APPROVAL  
**3**  
SIGN-OFF

DATE PROOF SENT OUT

DATE PROOF RETURNED

CLIENT

ACCOUNT EXECUTIVE

ACCOUNT SUPERVISOR

ACCOUNT COORDINATOR

DESIGNER

PROOFREADER

PRODUCTION ARTIST

Please check that all elements are in place, that proper graphics are used and that text is accurate. This proof is for "approximate" color only.

**DCi**  
MARKETING



MAC FILE NAME AND LOCATION: /CreativeServices.JIP / GM / P4135 / I-ChevyConnectionCenter / I-ChevyConnectionCenter.indd

App: InDesignCC • Colors: Black • Prod Mgr: Ben Bray • PA: Jossart 12.9.13 / 12.16.13

Finished Size: 8.5" x 11" • Art At: 100% • Proofs Run Out At: 100%